

DBC Series Commercial High Pressure Triplex Pump

MANIFOLD
Brass forged.

CRANKCASE
Die-cast aluminum alloy, anodized.

CONNECTING ROD
One piece aluminum alloy, Zinc alloy for option.

BEARING
Ball and needle bearing.

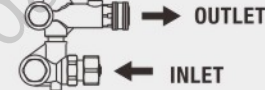
PLUNGER
Solid stainless steel, ceramic coating, precision grinded.

PACKING SEALS
Germany Parker, U type, Duplex packing.

CRANKSHAFT
Forged steel alloy, heat treatment, multiple process grinded.

LUBRICATION
Splash type, oil type 15W-40, SAE30.

UNLOADER (#7)
Bolt on, internal bypass, trap type, built with detergent injector, pressure adjustable.



INLET: 3/4" BSP or NH, Female
OUTLET: 3/8" Quick Connect

A VERSION

Engine Direct Drive

6.5-7HP HOLLOW SHAFT 3/4in 19.05mm KEY 4.78mm

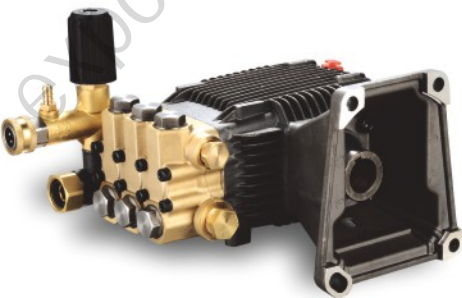


PUMP MODEL	MAX FLOW		MAX PRESSURE		ENGINE POWER		WEIGHT	SHIPPING SIZE
	gpm	lpm	psi	bar	rpm	hp		
DBC-13093A	3.3	12.6	3000	206	3400	7.0	7	30x26x23.5
DBC-1506A	2.9	10.8	3000	206	3400	6.5	8	30x26x23.5
DBC-15065A	3.1	11.7	3000	206	3400	6.5	8	30x26x23.5
DBC-1507A	3.3	12.6	3000	206	3400	7.0	8	30x26x23.5

A5 VERSION

Engine Direct Drive

9-13HP HOLLOW SHAFT 1in 25.4mm KEY 6.35mm



PUMP MODEL	MAX FLOW		MAX PRESSURE		ENGINE POWER		WEIGHT	SHIPPING SIZE
	gpm	lpm	psi	bar	rpm	hp		
DBC-1507A5	3.3	12.6	3600	248	3400	13	8.3	32.5x30.5x24
DBC-15085A5	4.0	15.3	3000	206	3400	9	8.3	32.5x30.5x24
DBC-1510A5	4.8	18	3600	248	3400	13	8.3	32.5x30.5x24
DBC-1512A5	5.7	21.6	3200	220	3400	13	8.3	32.5x30.5x24

B VERSION

Solid Male Shaft

5.5Kw Max MALE SHAFT 24 x 30mm KEY 8.0mm



PUMP MODEL	MAX FLOW		MAX PRESSURE		MOTOR POWER		WEIGHT	SHIPPING SIZE
	gpm	lpm	psi	bar	rpm	kw		
DBC-1507B	2.7	10.4	2700	186	2800	4.0	7.7	30x26x23.5
DBC-15085B	3.3	12.6	3000	206	2800	5.5	7.7	30x26x23.5
DBC-1510B	3.9	14.8	2700	186	2800	5.5	7.7	30x26x23.5
DBC-1512B	2.4	9.2	3200	220	1450	4.0	7.7	30x26x23.5
DBC-1514B	2.8	10.7	3400	235	1450	5.0	7.7	30x26x23.5

DBC Series Commercial High Pressure Triplex Pump

C/2/3 VERSION

Motor Direct Drive

7.5Kw Max HOLLOW SHAFT 24mm 28mm KEY 8.0mm



PUMP MODEL	MAX FLOW		MAX PRESSURE		MOTOR POWER		WEIGHT	SHIPPING SIZE
	gpm	lpm	psi	bar	rpm	kw		
DBC-13093C2	2.8	10.8	2700	186	2900	4.0	8	32.5x30.5x24
DBC-1507C2	2.8	10.8	2700	186	2900	4.0	8	32.5x30.5x24
DBC-15085C3	3.5	13.1	3000	206	2900	5.5	8	32.5x30.5x24
DBC-1510C3	4.1	15.4	3600	248	2900	7.5	8	32.5x30.5x24
DBC-1512C2	2.4	9.2	2900	220	1450	4.0	8	32.5x30.5x24
DBC-1514C3	2.8	10.8	3400	235	1450	5.5	8	32.5x30.5x24

C4/5 VERSION

NEMA Motor Direct Drive

NEMA2-7.5HP HOLLOWSHAFT 5/8in KEY0.188" 11/8in KEY0.25"



PUMP MODEL	MAX FLOW		MAX PRESSURE		MOTOR POWER		WEIGHT	SHIPPING SIZE
	gpm	lpm	psi	bar	rpm	hp		
DBC-15045C5	2	7.6	1500	105	3400	2.0	8	32.5x30.5x24
DBC-15085C5	2.2	8.3	1500	105	1750	2.0	8	32.5x30.5x24
DBC-1512C4	3	11.3	2500	172	1750	5.0	8	32.5x30.5x24
DBC-1514C4	3.45	13	2300	158	1750	5.0	8	32.5x30.5x24
DBC-1514C4	3.45	13	3000	206	1750	7.5	8	32.5x30.5x24

G1 VERSION

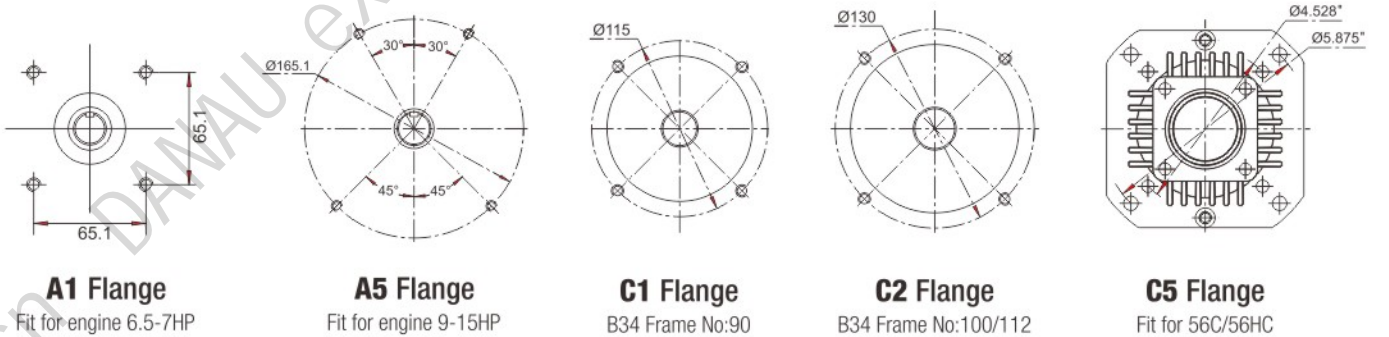
Gearbox, Engine Direct Drive

6.5-7HP HOLLOW SHAFT 3/4in 19.05mm KEY 4.78mm



PUMP MODEL	MAX FLOW		MAX PRESSURE		ENGINE POWER		WEIGHT	SHIPPING SIZE
	gpm	lpm	psi	bar	rpm	hp		
DBC-1510GA	2.2	8.3	3200	220	3400-1560	6.5	9.6	43x41x26
DBC-1512GA	2.6	9.9	3200	220	3400-1560	6.5	9.6	43x41x26
DBC-1514GA	3.15	11.9	3000	206	3400-1560	6.5	9.6	43x41x26

Flange Bolt Circle



DBD Series Commercial High Pressure Triplex Pump

MANIFOLD
Brass forged.

CRANKCASE
Die-cast aluminum alloy, anodized.

CONNECTING ROD
One piece aluminum alloy, Zinc alloy for option.

BEARING
Ball and needle bearing.

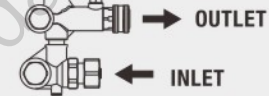
PLUNGER
Solid stainless steel, ceramic coating, precision grinded.

PACKING SEALS
Germany Parker, U type, Duplex packing.

CRANKSHAFT
Forged steel alloy, heat treatment, multiple process grinded.

LUBRICATION
Splash type, oil type 15W-40, SAE30.

UNLOADER (#7)
Bolt on, internal bypass, trap type, built with detergent injector, pressure adjustable.



INLET: 3/4" BSP or NH, Female
OUTLET: 3/8" Quick Connect

A5 VERSION Engine Direct Drive

13HP HOLLOW SHAFT 1in 25.4mm KEY 6.35mm



PUMP MODEL	MAX FLOW		MAX PRESSURE		ENGINE POWER		WEIGHT kg	SHIPPING SIZE cm
	gpm	lpm	psi	bar	rpm	hp		
DBD-1807A5	4.8	18.2	3600	248	3400	13	9.8	32.5x30.5x24
DBD-1809A5	6.2	23.4	3000	206	3400	13	9.8	32.5x30.5x24
DBD-1810A5	6.9	26	2700	186	3400	13	9.8	32.5x30.5x24

B VERSION Solid Male Shaft

7.5Kw Max MALE SHAFT 24 x 43mm KEY 8.0mm



PUMP MODEL	MAX FLOW		MAX PRESSURE		MOTOR POWER		WEIGHT kg	SHIPPING SIZE cm
	gpm	lpm	psi	bar	rpm	kw		
DBD-1807B	3.95	14.96	2700	186	2800	5.5	9.5	32.5x30.5x24
DBD-1809B	5.08	19.24	2700	186	2800	7.5	9.5	32.5x30.5x24
DBD-1810B	2.92	11.07	3600	248	1450	5.5	9.5	32.5x30.5x24
DBD-1812B	3.51	13.26	3000	206	1450	5.5	9.5	32.5x30.5x24
DBD-1814B	4.09	15.5	3600	248	1450	7.5	9.5	32.5x30.5x24

C2/3 VERSION Motor Direct Drive

7.5Kw Max HOLLOW SHAFT 28mm KEY 8.0mm



PUMP MODEL	MAX FLOW		MAX PRESSURE		MOTOR POWER		WEIGHT kg	SHIPPING SIZE cm
	gpm	lpm	psi	bar	rpm	kw		
DBD-1807C3	4.09	15.5	3600	248	2900	7.5	10	32.5x30.5x24
DBD-1809C3	5.26	19.92	2700	186	2900	7.5	10	32.5x30.5x24
DBD-1810C3	2.92	11.07	3600	248	1450	5.5	10	32.5x30.5x24
DBD-1812C3	3.51	13.28	3000	206	1450	5.5	10	32.5x30.5x24
DBD-1814C3	4.09	15.5	3600	248	1450	7.5	10	32.5x30.5x24

DBD Series Commercial High Pressure Triplex Pump

C4 VERSION NEMA Motor Direct Drive

NEMA5-7.5HP HOLLOWSHAFT 1 1/8in 1.125" KEY 0.25"



PUMP MODEL	MAX FLOW		MAX PRESSURE		MOTOR POWER		WEIGHT kg	SHIPPING SIZE cm
	gpm	lpm	psi	bar	rpm	hp		
DBD-1809C4	3.5	13.2	2000	138	1750	5	10	32.5x30.5x24
DBD-1810C4	3.5	13.2	3000	206	1750	7.5	10	32.5x30.5x24
DBD-1812C4	4.25	16	2500	172	1750	7.5	10	32.5x30.5x24

G2 VERSION Gearbox, Engine Direct Drive

11-13HP HOLLOW SHAFT 1in 25.4mm KEY 6.35mm



PUMP MODEL	MAX FLOW		MAX PRESSURE		ENGINE POWER		WEIGHT kg	SHIPPING SIZE cm
	gpm	lpm	psi	bar	rpm	hp		
DBD-1812G2	3.8	14.3	3600	248	3400-1560	11	12.9	43x41x26
DBD-1814G2	4.4	16.7	3600	248	3400-1560	13	12.9	43x41x26

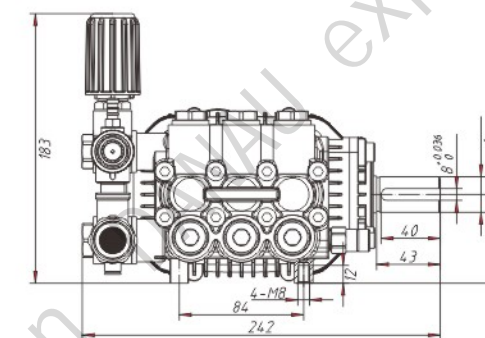
H VERSION Hydraulic Motor Drive

HYDRAULIC MOTOR SPECIFICATION
 Housing: High strength aluminum alloy
 Nominal Displacement: 20ml/r
 Rated pressure: 160bar/2320psi
 Rated speed: 2000rpm
 Output torque: 40.3 N.m
 Connection Port: M22x1.5 Female



PUMP MODEL	MAX FLOW		MAX PRESSURE		HYDRAULIC MOTOR		WEIGHT kg	SHIPPING SIZE cm		
	gpm	lpm	psi	bar	gpm	lpm				
DBD-1807H	2	7.6	3000	206	5.4	20.5	2550	175	13.6	43x41x26
DBD-1810H	3	11.3	3000	206	6.5	24.6	2550	175	13.6	43x41x26
DBD-1814H	4	15.1	3000	206	7.7	29	2550	175	13.6	43x41x26

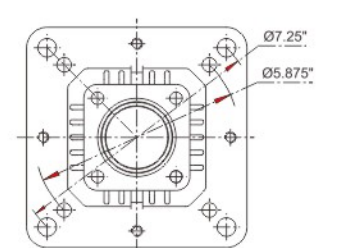
B Version Shaft Size



Flange Bolt Circle



C3 Flange
B34 Frame No:132



C4 Flange
Fit for 142TC/145TC, 182TC/184TC

DBQ Series Commercial High Pressure Triplex Pump

MANIFOLD
Brass forged.

CRANKCASE
Die-cast aluminum alloy, anodized.

CONNECTING ROD
One piece aluminum forged, Zinc alloy for option.

BEARING
Dual needle bearing.

PLUNGER
Solid stainless steel, ceramic coating, precision grinded.

PACKING SEALS
Germany Parker, U and V type, Duplex packing.

CRANKSHAFT
Forged steel alloy, heat treatment, multiple process grinded.

LUBRICATION
Splash type, oil type 15W-40, SAE30.

UNLOADER (#1)
For flow less than 20lpm/5.28gpm
INLET: 3/4" BSP or NH
OUTLET: 3/8" QD

UNLOADER (#4)
For flow great then 20lpm/5.28gpm
INLET: 3/8" Female
OUTLET: 3/8" Female
BYPASS: 3/8" Female

A VERSION

Engine Direct Drive

6.5-7HP HOLLOW SHAFT **3/4in** **KEY**
19.05mm 4.78mm



PUMP MODEL	MAX FLOW		MAX PRESSURE		ENGINE POWER		WEIGHT	SHIPPING SIZE
	gpm	lpm	psi	bar	rpm	hp		
DBQ-18085A	5.81	22	1500	103	3400	7	10.1	32.5x30.5x24
DBQ-20085A	7.13	27	1200	83	3400	7	10.1	32.5x30.5x24
DBQ-22085A	8.45	32	1000	70	3400	7	10.1	32.5x30.5x24

A5 VERSION

Engine Direct Drive

13HP HOLLOW SHAFT **1in** **KEY**
25.4mm 6.35mm



PUMP MODEL	MAX FLOW		MAX PRESSURE		ENGINE POWER		WEIGHT	SHIPPING SIZE
	gpm	lpm	psi	bar	rpm	hp		
DBQ-1807A5	4.76	18	3600	248	3400	13	10.3	32.5x30.5x24
DBQ-2007A5	5.81	22	2900	200	3400	13	10.3	32.5x30.5x24
DBQ-2207A5	7.13	27	2400	166	3400	13	10.3	32.5x30.5x24
DBQ-22085A5	8.45	32	2000	138	3400	13	10.3	32.5x30.5x24

B VERSION

Solid Male Shaft

7.5Kw Max MALE SHAFT **24** **KEY**
x 30mm 8.0mm



PUMP MODEL	MAX FLOW		MAX PRESSURE		MOTOR POWER		WEIGHT	SHIPPING SIZE
	gpm	lpm	psi	bar	rpm	kw		
DBQ-1812B	3.43	13	3600	248	1450	7.5	10.0	32.5x30.5x24
DBQ-18138B	3.96	15	3500	245	1450	7.5	10.0	32.5x30.5x24
DBQ-2012B	4.23	16	3300	229	1450	7.5	10.0	32.5x30.5x24
DBQ-20138B	4.97	18.8	2900	200	1450	7.5	10.0	32.5x30.5x24
DBQ-20146B	5.28	20	2700	188	1450	7.5	10.0	32.5x30.5x24
DBQ-22138B	5.81	22	2400	164	1450	7.5	10.0	32.5x30.5x24
DBQ-22146B	6.34	24	2200	155	1450	7.5	10.0	32.5x30.5x24

DBQ Series Commercial High Pressure Triplex Pump

C/2/3 VERSION

Motor Direct Drive

7.5Kw Max HOLLOW SHAFT **28** **KEY**
mm 8.0mm



PUMP MODEL	MAX FLOW		MAX PRESSURE		MOTOR POWER		WEIGHT	SHIPPING SIZE
	gpm	lpm	psi	bar	rpm	kw		
DBQ-1812C3	3.43	13	3600	248	1450	7.5	10.8	32.5x30.5x24
DBQ-18138C3	3.96	15	3500	245	1450	7.5	10.8	32.5x30.5x24
DBQ-2012C3	4.23	16	3300	229	1450	7.5	10.8	32.5x30.5x24
DBQ-20138C3	4.97	18.8	2900	200	1450	7.5	10.8	32.5x30.5x24
DBQ-20146C3	5.28	20	2700	188	1450	7.5	10.8	32.5x30.5x24
DBQ-22138C3	5.81	22	2400	164	1450	7.5	10.8	32.5x30.5x24
DBQ-22146C3	6.34	24	2200	155	1450	7.5	10.8	32.5x30.5x24

G1 VERSION

Gearbox, Engine Direct Drive

6.5-7HP HOLLOW SHAFT **3/4in** **KEY**
19.05mm 4.78mm



PUMP MODEL	MAX FLOW		MAX PRESSURE		ENGINE POWER		WEIGHT	SHIPPING SIZE
	gpm	lpm	psi	bar	rpm	hp		
DBQ-18146G	4.49	17	1800	124	1560	6.5	12.4	43x41x26
DBQ-20146G	5.55	21	1450	100	1560	6.5	12.4	43x41x26
DBQ-22146G	6.61	25	1200	80	1560	6.5	12.4	43x41x26

G2 VERSION

Gearbox, Engine Direct Drive

13-22HP HOLLOW SHAFT **1in** **KEY**
25.4mm 6.35mm



PUMP MODEL	MAX FLOW		MAX PRESSURE		ENGINE POWER		WEIGHT	SHIPPING SIZE
	gpm	lpm	psi	bar	rpm	hp		
DBQ-18146G2	4.49	17	3600	248	3400-1560	13	14.0	43x41x26
DBQ-20146G2	5.55	21	3000	207	3400-1560	13	14.0	43x41x26
DBQ-22146G2	6.61	25	2450	170	3400-1560	13	14.0	43x41x26
			4000	275	3400-1560	22		

S VERSION

Stainless Steel Manifold

7.5Kw Max MALE SHAFT **24** **KEY**
x 30mm 8.0mm



PUMP MODEL	MAX FLOW		MAX PRESSURE		MOTOR POWER		WEIGHT	SHIPPING SIZE
	gpm	lpm	psi	bar	rpm	kw		
DBQ-1812BS	3.43	13	3600	248	1450	7.5	11.3	32.5x30.5x24
DBQ-18138BS	3.96	15	3500	245	1450	7.5	11.3	32.5x30.5x24
DBQ-2012BS	4.23	16	3300	229	1450	7.5	11.3	32.5x30.5x24
DBQ-20138BS	4.97	18.8	2900	200	1450	7.5	11.3	32.5x30.5x24
DBQ-20146BS	5.28	20	2700	188	1450	7.5	11.3	32.5x30.5x24
DBQ-22138BS	5.81	22	2400	164	1450	7.5	11.3	32.5x30.5x24
DBQ-22146BS	6.34	24	2200	155	1450	7.5	11.3	32.5x30.5x24

DBE Series Commercial High Pressure Triplex Pump

MANIFOLD
Brass forged.

CRANKCASE
Die-cast aluminum alloy, anodized.

CONNECTING ROD
Two pieces aluminum alloy.

BEARING
Dual ball bearing.

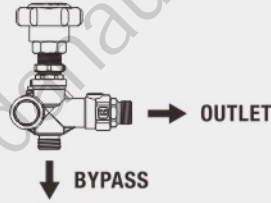
PLUNGER
Solid stainless steel, ceramic coating, precision grinded.

PACKING SEALS
Germany Parker, U type, Duplex packing.

CRANKSHAFT
Forged steel alloy, heat treatment, multiple process grinded.

LUBRICATION
Splash type, oil type 15W-40, SAE30.

UNLOADER(#3)
Bolt on, external bypass, trap type, built without detergent injector.



INLET: 1" BSP, on pump side
OUTLET: M22 Male
BYPASS: 1/2" Male

B VERSION

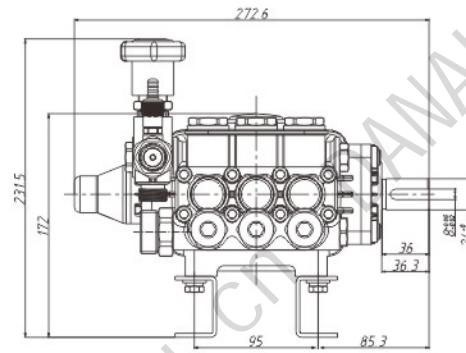
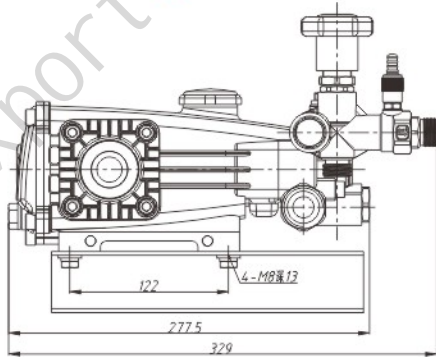
Solid Male Shaft

11Kw Max **MALE SHAFT** 24 x 36mm **KEY** 8.0mm



PUMP MODEL	MAX FLOW		MAX PRESSURE		MOTOR POWER		WEIGHT	SHIPPING SIZE
	gpm	lpm	psi	bar	rpm	kw		
DBE-2218B	9.8	37	2200	150	1800	11	10	36x32x29

B Version Drawing



C3 VERSION

Motor Direct Drive

7.5Kw Max **HOLLOW SHAFT** 28 mm **KEY** 8.0mm



PUMP MODEL	MAX FLOW		MAX PRESSURE		MOTOR POWER		WEIGHT	SHIPPING SIZE
	gpm	lpm	psi	bar	rpm	kw		
DBE-2218C3	7.9	30	1800	124	1450	7.5	10.7	36x32x29

DBF Series Commercial High Pressure Triplex Pump

MANIFOLD
Brass forged.

CRANKCASE
Die-cast aluminum alloy, anodized.

CONNECTING ROD
Two pieces aluminum alloy.

BEARING
Dual needle bearing.

PLUNGER
Solid stainless steel, ceramic coating, precision grinded.

PACKING SEALS
Germany Parker, U type, Duplex packing.

CRANKSHAFT
Forged steel alloy, heat treatment, multiple process grinded.

LUBRICATION
Splash type, oil type 15W-40, SAE30.

UNLOADER (#4) Recycle
For flow less than 35lpm/9.24gpm.
IN/OUTLET: 3/8" Female
BYPASS: 3/8" Female

UNLOADER (#5)
For flow great than 35lpm/9.24gpm.
IN/OUTLET: 1/2" Female
BYPASS: 1/2" Female

UNLOADER (#12)
For pressure great than 5000psi/350bar
IN/OUTLET: 1/2" Female
BYPASS: 1/2" Female

B VERSION

Solid Male Shaft

18.5Kw Max **MALE SHAFT** 24 x 43.5mm 28 x 45mm **KEY** 8.0mm



PUMP MODEL	MAX FLOW		MAX PRESSURE		MOTOR POWER		WEIGHT	SHIPPING SIZE
	gpm	lpm	psi	bar	rpm	kw		
DBF-1821B	6.1	23.3	5200	360	1450	18.5	14	34.5x30x22
DBF-2221B	9.2	34.7	3500	240	1450	18.5	14	34.5x30x22
DBF-2821B	14.9	56.2	2200	150	1450	18.5	14	34.5x30x22

G2 VERSION

Gearbox, Engine Direct Drive

24HP **HOLLOW SHAFT** 1in 25.4mm **KEY** 6.35mm



PUMP MODEL	MAX FLOW		MAX PRESSURE		ENGINE POWER		WEIGHT	SHIPPING SIZE
	gpm	lpm	psi	bar	rpm	hp		
DBF-1521G2S	4.6	17.4	6800	480	3400-1560	24	20	43x41x26
DBF-1821G2	6.6	25	5000	220	3400-1560	24	18	43x41x26

S VERSION

Stainless Steel Manifold

18.5Kw Max **MALE SHAFT** 24 x 43.5mm 28 x 45mm **KEY** 8.0mm



PUMP MODEL	MAX FLOW		MAX PRESSURE		MOTOR POWER		WEIGHT	SHIPPING SIZE
	gpm	lpm	psi	bar	rpm	kw		
DBF-1521BS	4.3	16.1	6750	465	1450	15	16	34.5x30x22
DBF-1821BS	6.1	23.3	5200	360	1450	18.5	16	34.5x30x22
DBF-2221BS	9.2	34.7	3500	240	1450	18.5	16	34.5x30x22
DBF-2821BS	14.9	56.2	2200	150	1450	18.5	16	34.5x30x22

DAA Series Commercial High Pressure Axial Pump

MANIFOLD
Brass forged, integrated with unloader housing

HOUSING
Die-cast aluminum alloy, anodized.

WOBBLE PLATE
One piece forged cast iron.

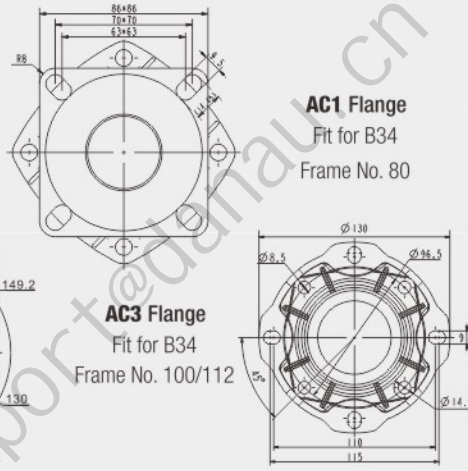
BEARING
Dual thrust bearing

PLUNGER
Solid stainless steel, ceramic coating for option.

PACKING SEALS
Germany Parker, U type

AC2 Flange
Fit for B34
Frame No. 90

AC5 Flange
Fit for 56C/56HC



A VERSION
Engine Direct Drive

6.5-7HP HOLLOW SHAFT 3/4in 19.05mm KEY 4.78mm



PUMP MODEL	MAX FLOW		MAX PRESSURE		ENGINE POWER		WEIGHT	SHIPPING SIZE
	gpm	lpm	psi	bar	rpm	hp		
DAA-15063A	3.0	11.3	2800	193	3400	6.5	4.4	22x21x24
DAA-15054A	2.6	9.2	3000	206	3400	6.5	4.4	22x21x24

AC VERSION
Motor Direct Drive

1.5-3Kw HOLLOW SHAFT 24mm 28mm KEY 8.0mm



PUMP MODEL	MAX FLOW		MAX PRESSURE		MOTOR POWER		WEIGHT	SHIPPING SIZE
	gpm	lpm	psi	bar	rpm	kw		
DAA-15054AC2	2.2	8.2	1300	90	2880	1.5	4.7	22x21x24
	2.2	8.2	1900	130	2880	2.2	4.7	22x21x24
DAA-15063AC2	2.5	9.6	1600	110	2880	2.2	4.7	22x21x24
	2.5	9.6	2200	150	2880	3.0	4.7	22x21x24

AC5 VERSION
NEMA Motor Direct Drive

NEMA-56C HOLLOWSHAFT 5/8in KEY0.188" 3400 RPM

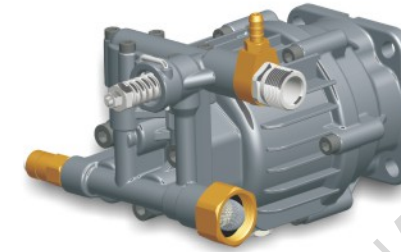


PUMP MODEL	MAX FLOW		MAX PRESSURE		MOTOR POWER		WEIGHT	SHIPPING SIZE
	gpm	lpm	psi	bar	rpm	hp/kw		
DAA-15042AC5	1.9	7.2	2000	138	3400	2.9/2.1	4.7	22x21x24
DAA-15054AC5	2.5	9.4	2000	138	3400	3.7/2.7	4.7	22x21x24
DAA-15063AC5	2.9	10.9	2000	138	3400	4.2/3.1	4.7	22x21x24

DAC/DAB/DAF Series Hing Consumer and Commercial Axial Pump

A VERSION
Engine Direct Drive

5.5-6.5HP HOLLOW SHAFT 3/4in 19.05mm KEY 4.78mm



PUMP MODEL	MAX FLOW		MAX PRESSURE		ENGINE POWER		WEIGHT	SHIPPING SIZE
	gpm	lpm	psi	bar	rpm	hp		
DAF-13062AL	2.2	8.4	2500	172	3400	5.5	3.6	22x21x24
DAF-13069AL	2.5	9.3	2500	172	3400	6.5	3.6	22x21x24

A VERSION
Engine Direct Drive

5.5-6.5HP HOLLOW SHAFT 3/4in 19.05mm KEY 4.78mm



PUMP MODEL	MAX FLOW		MAX PRESSURE		ENGINE POWER		WEIGHT	SHIPPING SIZE
	gpm	lpm	psi	bar	rpm	hp		
DAC-13063A	2.2	8.5	2400	166	3400	5.5	4.0	22x21x24
DAC-13071A	2.5	9.6	2600	179	3400	6.5	4.0	22x21x24

V VERSION
Vertical Engine Direct Drive

5.5-6.5HP HOLLOW SHAFT 22.23mm 4.78mm KEY 203.2 bolt circle



PUMP MODEL	MAX FLOW		MAX PRESSURE		ENGINE POWER		WEIGHT	SHIPPING SIZE
	gpm	lpm	psi	bar	rpm	hp		
DAC-13063V	2.2	8.5	2400	166	3400	5.5	4.0	22x21x24
DAC-13071V	2.5	9.6	2600	179	3400	6.5	4.0	22x21x24

A VERSION
Engine Direct Drive

6.5-7HP HOLLOW SHAFT 3/4in 19.05mm KEY 4.78mm



PUMP MODEL	MAX FLOW		MAX PRESSURE		ENGINE POWER		WEIGHT	SHIPPING SIZE
	gpm	lpm	psi	bar	rpm	hp		
DAD-15063A	3.0	11.2	2700	186	3400	6.5	4.5	22x21x24
DAD-15071A	3.4	12.8	2700	186	3400	7.0	4.5	22x21x24

DAE Series Commercial High Pressure Axial Pump

A VERSION
Engine Direct Drive

6.5-7HP HOLLOW SHAFT **3/4in** **KEY**
19.05mm 4.78mm



PUMP MODEL	MAX FLOW		MAX PRESSURE		ENGINE POWER		WEIGHT	SHIPPING SIZE
	gpm	lpm	psi	bar	rpm	hp	kg	cm
DAE-18051A	3.5	13.2	2400	166	3400	6.5	5.5	22x21x24
DAE-18095A	6.3	24	1160	80	3400	6.5	5.5	22x21x24

DBK series Commercial Medium Pressure Triplex Pump

MANIFOLD

Water inlet/outlet and cylinder separately pieces brass forged Manifold.

PLUNGER

Hollow stainless steel plunger with ceramic coating.

PLUNGER WATER LUBRICATION

Plunger water lubrication/cooling system, grease free

UNLOADER

Integrated pressure regulator/unloader, external bypass.

PRESSURE RELIEF SYSTEM

Dual cock response automatic pressure relief system.

CRANKSHAFT AND BEARING

Forged steel alloy crankshaft, enlarged bearing.

OIL GAUGE

Bearing cover build with large side oil gauge.

PACKING SEALS

Germany Parker U type water seals.

CHECKING VALVE

High efficiency, high pressure resistance checking valve.

B VERSION
Solid Male Shaft

5.0Kw MALE SHAFT 8" PULLY **24** **KEY**
x 36mm 8.0mm



PUMP MODEL	MAX FLOW		MAX PRESSURE		MOTOR POWER		WEIGHT	SHIPPING SIZE
	gpm	lpm	psi	bar	rpm	kw	kg	cm
DBK-2828	12.4	47	725	50	900	5	14	43x32x36
DBK-2828	16.3	62	580	37	1200	5	14	43x32x36
DBK-2828	19.8	75	478	30	1450	5	14	43x32x36
DBK-2820	8.7	33	1015	70	900	5	14	43x32x36
DBK-2820	14	50	680	45	1450	5	14	43x32x36

UNLOADER AND VALVES For Commercial High Pressure Triplex Pump

Bolt-on Trap type Internal Bypass Pressure Regulator/Unloader

Code No.	Max Psi/Gpm	Inlet	Outlet	Thread
#1	4000/6.6	3/4" F Swivel Nut	3/8" Female	NH/BSP, NPT/BSP
#9-EZ	4000/6.6	3/4" F Swivel Nut	3/8" Female	NH/BSP, NPT/BSP
#7	4000/6.6	3/4" F Swivel Nut	3/8" QD Socket	NH/BSP, NPT/BSP
#8-EZ	4000/6.6	3/4" F Swivel Nut	3/8" QD Socket	NH/BSP, NPT/BSP

*EZ-Easy Start model features a extra bypass, releases the head build pressure which will against the start when pulling start the engine, help to start even with gun off.



Thread-On Trap type External Bypass Pressure Regulator/Unloader

Code No.	Max Psi/Gpm	Banjo Bolt Size	Outlet	Bypass
#1-EB	4000/6.6	3/8" Male	3/8" QD Socket	1/4" Hose barb
#1-DS	4000/6.6	3/8" Male	3/8" Male	3/8" Male
#3	5000/7.9	3/8" Male	M22 Male	1/2" Male
#3-DS	5000/7.9	3/8" Male	3/8" Male	1/2" Male

*DS-Duplex Stainless Steel forged valve housing, features high resistance of corrosion, use for the pump with duplex stainless steel manifold and sea water reverse osmosis applications.



Thread-On Trap type External Bypass Pressure Regulator/Unloader

Code No.	Max Psi/Gpm	Inlet	Outlet	Bypass
#4	4000/6.6	3/8" Female	3/8" Female	3/8" Female
#E-RC	4000/6.6	3/8" Male	3/8" Female	Connect To Inlet
#5	5000/7.9	1/2" Female	1/2" Female	1/2" Female
#12-SS	10150/21	1/2" Female	1/2" Female	1/2" Female

*RC-Recyle Direct the water from bypass port back into the inlet port with a soft connection hose, and make the pump work as internal bypass mold, features with easy start function.



Pressure Safety Valve

Code No.	Max Pressure	Inlet	Outlet	Bypass
SFV-AD	4000psi/275bar	3/8" Male	N/A	1/4" Hose Barb
SFV-EZ	5000psi/345bar	3/8" Male	N/A	N/A

*AD-Adjustable It is the secondary pressure safety guard if the pressure regulating unloader is failed, it protects the system against over pressurization. The adjustable features setup the relief pressure at different rate.



High Pressure Turning Valve

Code No.	Max Pressure	Inlet	Outlet	Bypass
PTV-1/4	4000psi/275bar	1/4" Male	N/A	1/4" Hose Barb
PTV-3/8	4000psi/275bar	3/8" Male	N/A	1/4" Hose Barb

*PTV-Pressure Turning Valve Install at the pump high pressure area, discharge the air in the pump and water intaking pipe line, enhance the sucking capability, and all to suck the water from a barrel and even pond.



Thermal Relief Valve

Code No.	Max Pressure	Inlet	Outlet	Bypass
TRV-1/4	200psi/15bar	1/4" Male	N/A	N/A
TRV-1/2	200psi/15bar	1/2" Male	N/A	N/A

* **TRV** For a pump that install with a internal bypass unloader, when in bypass mode the recirculating water in the pump head will heat up very quickly, when the water TEMP. above 60°C/140°F the TRV WAX plug will getting soft and open to relieve the hot water, after the system cooling down the plug will reset.

Pressure Switch

Code No.	Max Pressure	Inlet	Outlet	Type
PES-1/4	7200psi/500bar	1/4" Male	N/A	Normally Open/Close
PES-QD	4000psi/275bar	3/8" QD Plug	3/8" QD	Normally Open/Close

* **PES** A kind of pressure sensor, connect to the pump or system high pressure area, by the pressure difference will active the micro switch and produce the ON-OFF signal, realize the system auto control. Activation pressure 435psi/30bar, Max 5amps, 250V. Max working TEMP 90°C/194°F

Jetter Pulse Valve

Code No.	Max Pressure	Fitting Size
JPV-(Pump Series)	4000psi/275bar	Same as pump valve plug
JPV-DBC/DBD/DBQ/DBF	4000psi/275bar	Same as pump valve plug

* **JPV** Use to convert the high pumps into a sewer cleaning pump, it install on the pump central intaking valve, when fully engaged the pin it stops the valve from operating, and create the flow pulsations on demand to improve nozzle movement and cleaning power in sewer cleaning applications.

Auto Throttle controller

Code No.	Max Pressure	Fitting Size	Stroke
ATC-27	4000psi/275bar	1/4" Male	7 mm

* **ATC** Engine auto throttle controller reduces the engine RPM when pump is in by-pass, it reduced engine wear and fuel consumption and prolongs the pump life, since the engine is not continually running at full RPM.

Garden Hose Nipple Fitting

Code No.	Fitting Size	Thread Type
GHF-BR	3/4" Male	BSP/NH
GHF-PL	3/4" Male	BSP/NH

* **GNF** Standard Europe type brass and plastic garden hose quick disconnect nipple fitting, for quick and easy to install and disconnect the garden hose.

High Pressure Gauge

Code No.	Pressure Range	Rating	Fitting Size	Thread Type
HPG-V25M	0-25MPa	PSI-MPa	1/4" Male	BSPT or NPT
HPG-V40M	0-40MPa	PSI-MPa	1/4" Male	BSPT or NPT
HPG-V60M	0-60MPa	PSI-MPa	1/4" Male	BSPT or NPT
HPG-V600B	0-600Bar	PSI-MPa	1/4" Male	BSPT or NPT

* **V**-Vertical * **H**-Horizontal



2400-2600PSI GAS PRESSURE WASHER

5.5-6.5HP Vertical Gasoline Engine, High Consumer Grade



Standard Features:

- Semi-professional grade brass or aluminum forged axial pump, built with thermal protection and detergent injector.
- Performance proven vertical gas engine, EPA and EU V certified.
- Powder coating frame, bolt on handle include with gun and hose hook.
- 12" non-flat plastic wheel, assembly on frame with no tool required.
- Professional trigger gun include with 20" stainless steel lance.
- 4tips 1/4" quick nozzle include 0, 25, 40 degree and black soap nozzle.
- ID1/4" (6.4mm) x 25FT (8m) thermal plastic hose, M22 swivel fitting.

Technical Specifications

Model	DCAC-16/8JV	DCAC-18/9JV
Max Pressure	2400psi/166bar	2600psi/179bar
Max Flow	2.2gpm/8.5lpm	2.5gpm/9.6lpm
Pump Model	DAC-13063AV	DAC-13071AV
Power And Type	5.5hp/179cc, Vertical	6.5hp/196cc, Vertical
Shipping Size	67x41.5x55cm	67x41.5x55cm
Shipping Weight	35kgs	35kgs
20FT/40FT/40HQ	160/320/320pcs	160/320/320pcs

2600PSI GAS PRESSURE WASHER

6.5HP Horizontal Gasoline Engine, High Consumer Grade



Standard Features:

- Semi-professional grade brass or aluminum forged axial pump, built with Thermal protection and detergent injector.
- Performance proven horizontal gas engine, EPA and EU V certified.
- Powder coating frame, bolt on handle include with gun and hose hook.
- 10" Solid Non-flat wheel with no bearing.
- Professional trigger gun include with 20" stainless steel lance.
- 5tips 1/4" QD nozzle include 0, 15, 25, 40 degree and black soap nozzle.
- ID1/4" (6.4mm) x 25FT (8m) thermal plastic hose, M22 swivel fitting.

Technical Specifications

Model	DCAC-16/9JB
Max Pressure	2600psi/179bar
Max Flow	2.5gpm/9.6lpm
Pump Model	DAC-13071A, Brass or aluminum
Power And Type	6.5hp/196cc, Horizontal OHV
Shipping Size	67x41.5x55cm
Shipping Weight	35kgs
20FT/40FT/40HQ	160/320/320pcs

